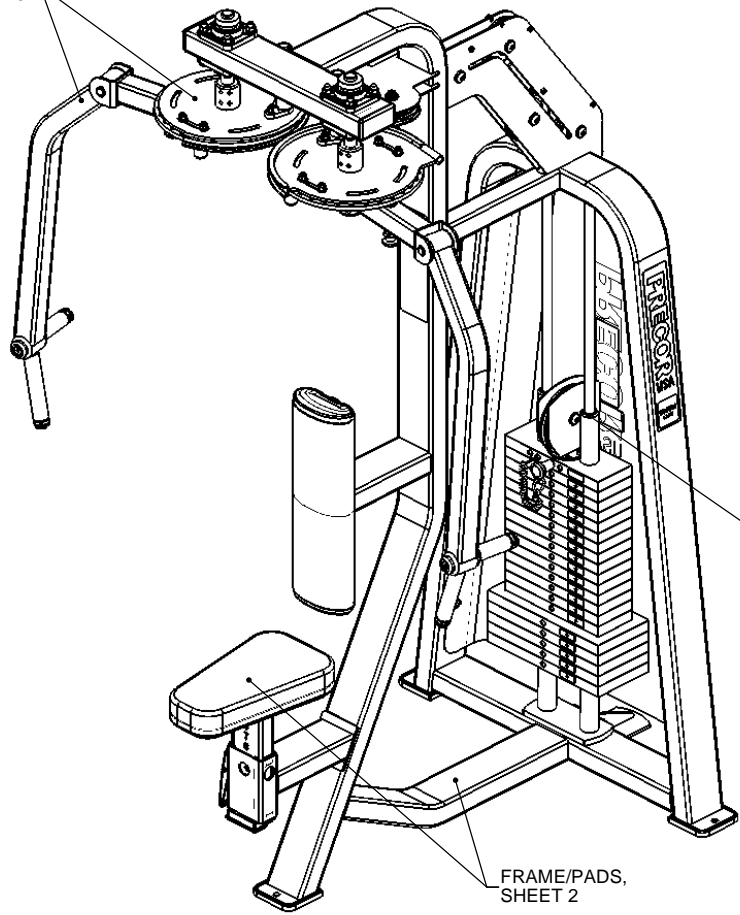


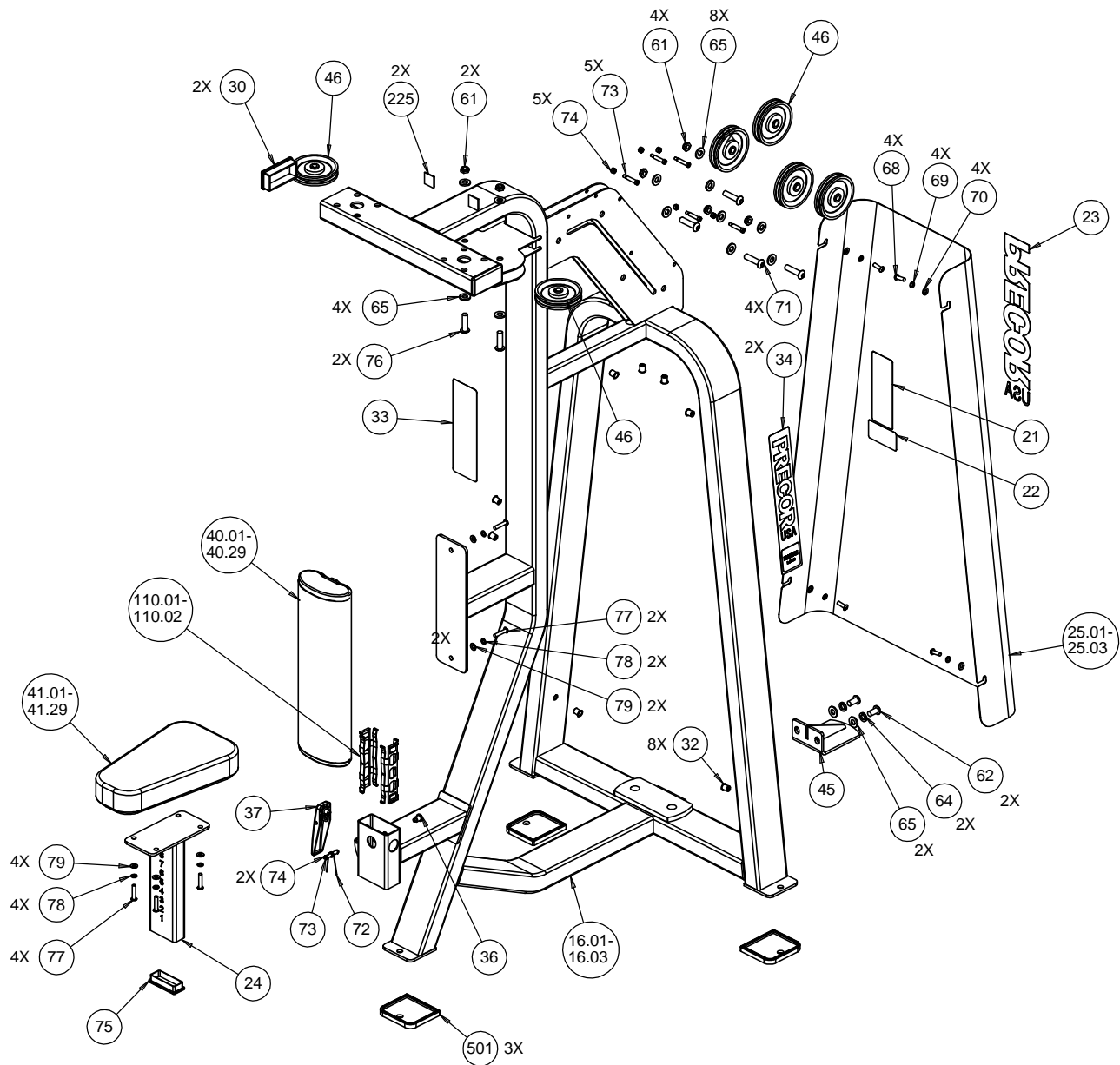
CAMS/ARMS,  
SHEET 3



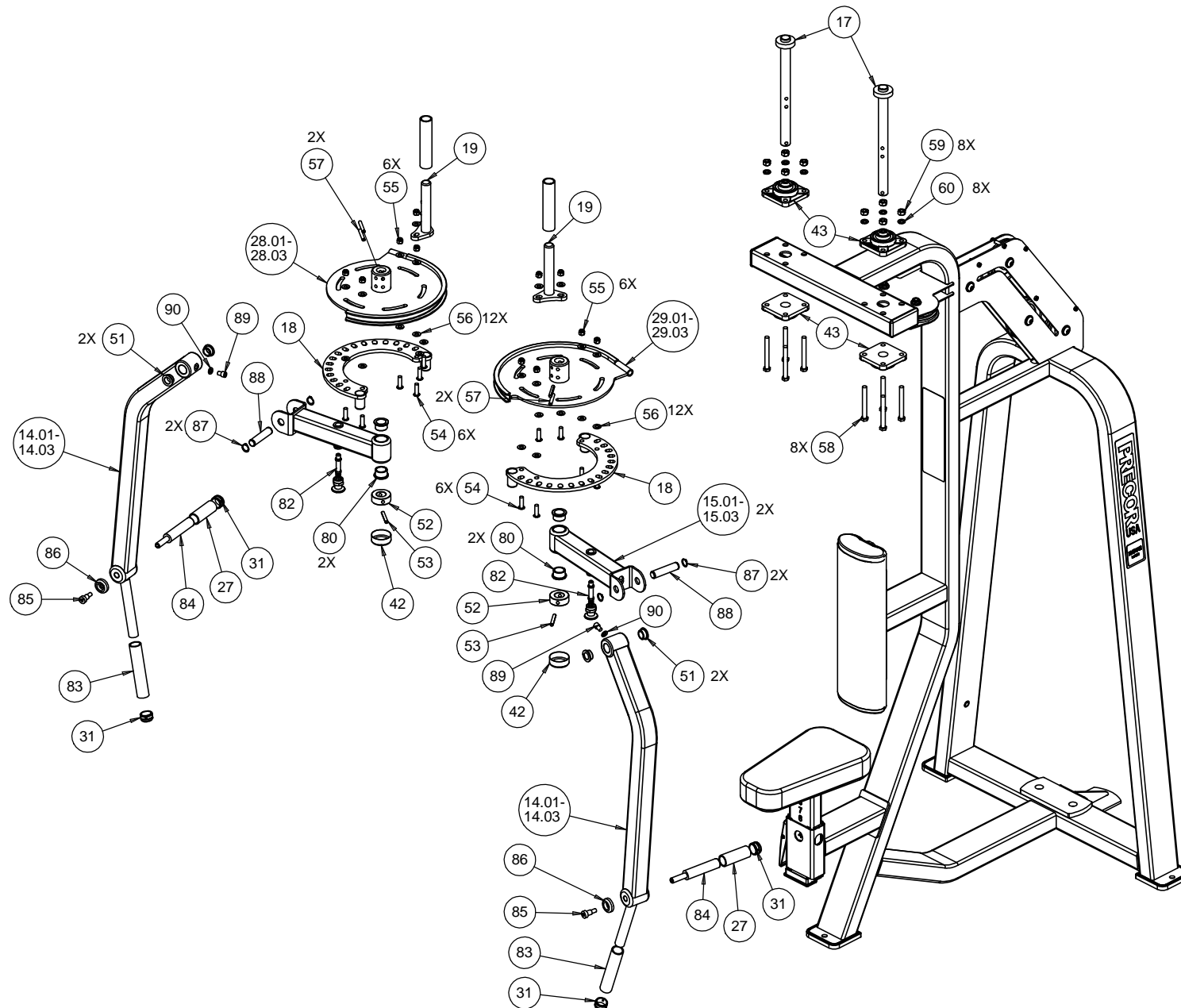
GUIDE RODS/WEIGHTS,  
SHEET 4

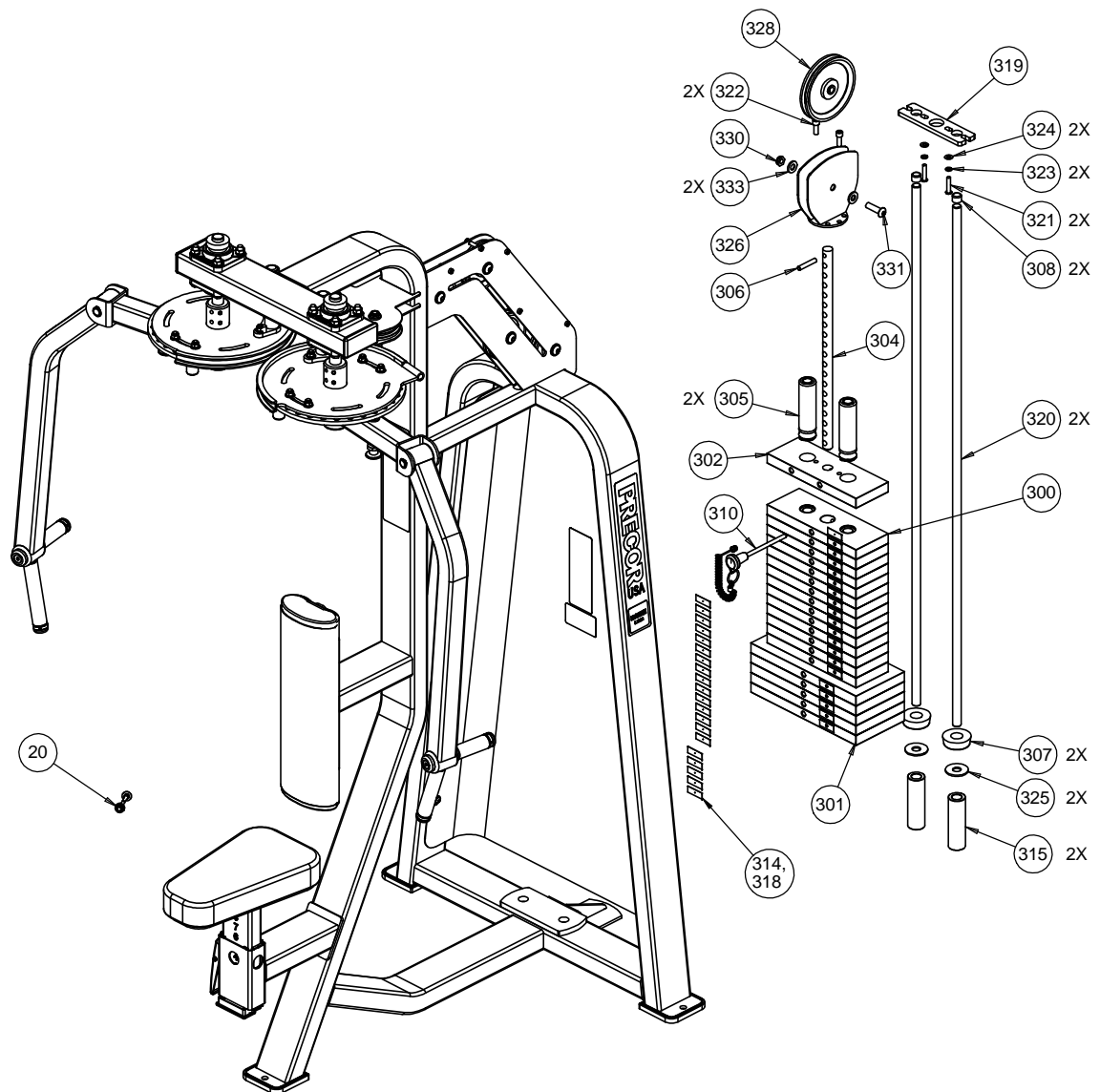
FRAME/PADS,  
SHEET 2

CW505KS	P/N : CW32855-101	SUBREV : E02
DRAWN BY : KAW	DATE : 12.3.12	SHEET 1 OF 4









## 505KS Rear Delt/Pec Fly

Part Number	Description	Bubble Number
CW33369-211	ASSY, LOWER ARM, 505KS, SKY WHITE	14.01
CW33370-211	WELDMENT, LOWER ARM, 505KS, SKY WHI	14.01
CW33369-321	ASSY, LOWER ARM, 505KS, TITANIUM (H	14.03
CW33465-211	ASSY, UPPER ARM, 505KS, SKY WHITE	15.01
CW33465-321	ASSY, UPPER ARM, 505KS, TITANIUM	15.03
CW33497-211	ASSY, FRAME, MAIN, 505KS, SKY WHITE	16.01
CW33497-321	ASSY, FRAME, MAIN, 505KS, TITANIUM	16.03
<b>CW33035-731</b>	ASSY, CAM, SHAFT, PIVOT, BLACK ZINC	17
CW33034-721	ASSY, SELECTOR, CW505KS, WRINKLE BL	18
CW33025-732	ASSY, CAM STOP, LONG, BLACK ZINC	19
<b>CWCLHH152-000</b>	ASSY, CABLE, 505KS	20
CW30010-102	LABEL,WARNING STRENGTH	21
CW30011-102	LABEL,WARNING WEIGHT STACK	22
<b>CW32535-711</b>	ASSEMBLY, SEAT ADJUSTMENT, 8 HOLE,	24
CW32091-211	ASSY, SHROUD, #5, SKY WHITE	25.01
CW32091-321	ASSY, SHROUD, #5, TITANIUM, HG	25.03
<b>CWGR4603-125</b>	GRIP, RUBBER, 1.00" OD HANDLE, 3.13	27
CW32911-721	ASSY, SMALL CAM, CCW, WRINKLE BLK	28.01
CW32911-721	ASSY, SMALL CAM, CCW, WRINKLE BLK	28.03
CW32912-721	ASSY, SMALL CAM, CW, WRINKLE BLK	29.01
CW32912-721	ASSY, SMALL CAM, CW, WRINKLE BLK	29.03
<b>CW11311-102</b>	ENDCAP, REC TUBE, 2X4, BLK PLASTIC	30
<b>CWAC218-901</b>	HANDLE END CAP W/SET SCREWS, DIA 1"	31
CW12537-109	NUT,INSERT,THIN-NUT,LARGE FLANGE	32
<b>CW30042-101</b>	LABEL,INSTRUCTION,505	33
<b>CW31756-101</b>	LABEL, PRECOR USA ICARIAN LINE	34
<b>CWCP1046-101</b>	CUT PIECE,CREPE,ROUND,.25 THICK,1.7	35
<b>CW31784-731</b>	STOP PLUG, BLK ZN	36
<b>CW32460-221</b>	ASSY, RATCHETING LEVER, BLACK	37
CW33532-101	CUT PIECE, ABS BLACK, 1/8 X 1 3/4 X	38
CWPD1141J-101	PAD,4X19,2HOLES,W/BP,BLACK, W/SLIP	40.01
CWPD1207A-101	PAD,5X9X14.5,4HOLES,BLACK	41.01
CW10514-102	CAP, VINYL DIP MOLDED, DIA 2.00	42
<b>CW12405-101</b>	PILLOW BLOCK, BEARING, FLANGE, 4 BO	43
CW33286-731	WELDMENT, STABILITY FOOT,BLACK ZINC	45
<b>CWAC1009-101</b>	PULLEY, 4 1/2 DIA X 1/2 ID	46
<b>CW10433-109</b>	BUSHING,FLNGD,1ODX.75IDX.5,IGUS R	51
<b>CWPF1256-731</b>	TUBE,STEEL, RND, DOM, 2 OD X 1 ID X	52
<b>CWTAYN038-125</b>	SCREW, BUTTON HEAD, BLK XYLAN, 3/8	54
CWKDYN038-045	LOCKNUT, NYLON INSERT, FULL, UNC, 3	55
CWWBKN038-007	WASHER, FLAT, TYPE A, SAE, 3/8 ID	56
<b>CWLDNN031-200</b>	SLOTTED PIN SPRING, DIA 5/16 X 2.00	57
CWHCYN044-375	SCREW, HEX HEAD, BLK XYLAN, 7/16-	58
CWKMYN044-038	NUT, HEX, UNC, 7/16-14, BLK XYLAN	59
CWWALYN044-011	WASHER, SPLIT, 7/16 ID, BLK XYLAN	60
<b>CWKAYN050-031</b>	LOCKNUT, NYLON INSERT, HALF, UNC, 1	61
<b>CWTAYN050-100</b>	SCREW, BUTTON HEAD, BLK XYLAN, 1/2	62
<b>CWWALYN050-013</b>	WASHER, SPLIT, 1/2 ID, BLK XYLAN	64

CWWBKN050-010	WASHER, FLAT, TYPE A, SAE, 1/2 ID X	65
CWRANN025-125	BOLT, SHOULD,1/4-20 X 5/16 X 1-1/4	66
CWKDMN025-030	LOCKNUT, NYLON INSERT, FULL, UNC, 1	67
CWTAYN031-100	SCREW, BUTTON HEAD, BLK XYLAN, 5/16	68
CWWALYN031-008	WASHER, SPLIT, 5/16 ID, BL	69
CWWBKN031-007	WASHER, FLAT, TYPE A, SAE, 5/16 ID	70
CWTAYN050-175	SCREW, BUTTON HEAD, BLK XYLAN, 1/2	71
CW12634-101	SPRING, TORSION 90 DEG X 0.484 X 0.	72
CW31770-742	LATCH PIVOTING PIN, CLR ZN	73
CWAMNN028-003	RING, RETAINING, 2-TURN, SPIRAL, SS	74
CWTAYN050-200	SCREW, BUTTON HEAD, BLK XYLAN, 1/2	76
CWTAYN031-150	SCREW, BUTTON HEAD, BLK XYLAN, 5/16	77
CWWALYN031-008	WASHER, SPLIT, 5/16 ID, BL	78
CWWBKN031-007	WASHER, FLAT, TYPE A, SAE, 5/16 ID	79
CW10043-134	BUSHING, BRONZE, 1" ID X 1 1/4" OD	80
CW30501-752	ASSY, POP PIN, LONG, 0.450 DIA NOSE	82
CWGR4606-000	GRIP, RUBBER, 1.00" OD HANDLE, 6.00	83
CW33457-741	ASSY, HANDLE, 505KS, ZN	84
CWRANN038-063	BOLT, SHOULDER, 3/8-16 X 1/2 X 5/8	85
CW33362-901	SPACER, SHOULDER,	86
CWAAHN075-004	RING,RETAINING,3/4,EXT	87
CW33360-741	PIVOT SHAFT, DIA. .750 X 3.30, CLR	88
CWCAYN038-050	SCREW, SOCKET HEAD, BLK XYLAN, 3/8	89
CWWALYN038-009	WASHER, SPLIT, 3/8 ID, BLK XYLAN	90
CW33626-901	GUIDE, THIN, TELESCOPING TUBE	110.01
CW33626-902	GUIDE, THCK, TELESCOPING TUBE	110.02
CWAC1133-101	BUSHING, WEIGHT PLATE, LDPE PLASTIC	203
CW12575-101	MOULDED BUMPON, BLACK, 31.75MM SQ (	225
CW10519-721	PLATE, WEIGHT, 20 LBS, WRKL BLK	279
CW10510-721	ASSY, PLATE, WEIGHT, 10 LBS, WRKL B	300
CW10520-721	ASSY, PLATE, WEIGHT, 20 LBS, WRKL B	301
CW30132-712	SELECTOR STEM, 20 PLATE,0.875 DIA,	304
CW30184-902	ASSY,BARREL,TOP PLATE,ALUMINUM,TALL	305
CWLDNN038-200	SLOTTED PIN SPRING, DIA 3/8 X 2	306
CW12402-101	BUMPER, ID 1.050, BLK RUBBER	307
CW12404-101	CAP, GUIDE ROD,DIA 3/4, BLK	308
CW33870-102	ASSEMBLY, 5" WEIGHT STACK PIN & LEA	309
CW33870-102	ASSEMBLY, 5" WEIGHT STACK PIN & LEA	310
CW32937-101	WEIGHT STACK LABELS, 10-250, STAGGE	314
CW33323-721	STACK RISER, 5 INCH, WRINKLE BLACK	315
CW32938-101	WEIGHT STACK LABELS, 10-300, STAGGE	318
CWPF1016-732	BAR,,FLAT CR/HR, 3/8 X 2 X 8 1/4, 3	319
CWPF1214-711	GUIDE ROD,STEEL,OD 3/4 X 52 5/8, CH	320
CWTAYN031-150	SCREW, BUTTON HEAD, BLK XYLAN, 5/16	321
CWCAYN038-100	SCREW, SOCKET HEAD, BLK XYLAN, 3/8	322
CWWALYN031-008	WASHER, SPLIT, 5/16 ID, BL	323
CWWBKN031-007	WASHER, FLAT, TYPE A, SAE, 5/16 ID	324
CWWCKN075-015	WASHER, FLAT, TYPE A, WIDE, 3/4 ID	325
CWAC1010-101	PULLEY, 6 DIA X 1/2 ID	328
CWKAYN050-031	LOCKNUT, NYLON INSERT, HALF, UNC, 1	330
CWTAYN050-175	SCREW, BUTTON HEAD, BLK XYLAN, 1/2	331
CW32938-101	WEIGHT STACK LABELS, 10-300, STAGGE	333

CWWBKN050-010	WASHER, FLAT, TYPE A, SAE, 1/2 ID X	333
CWAC1177-101	FLOOR PROTECTOR, RUBBER, 4.563 X 4.	501
CW58004-101	WEIGHT STACK BUSHING KIT, KS SERIES	600
CW32537-102	LITERATURE KIT, GSM ONLY	999